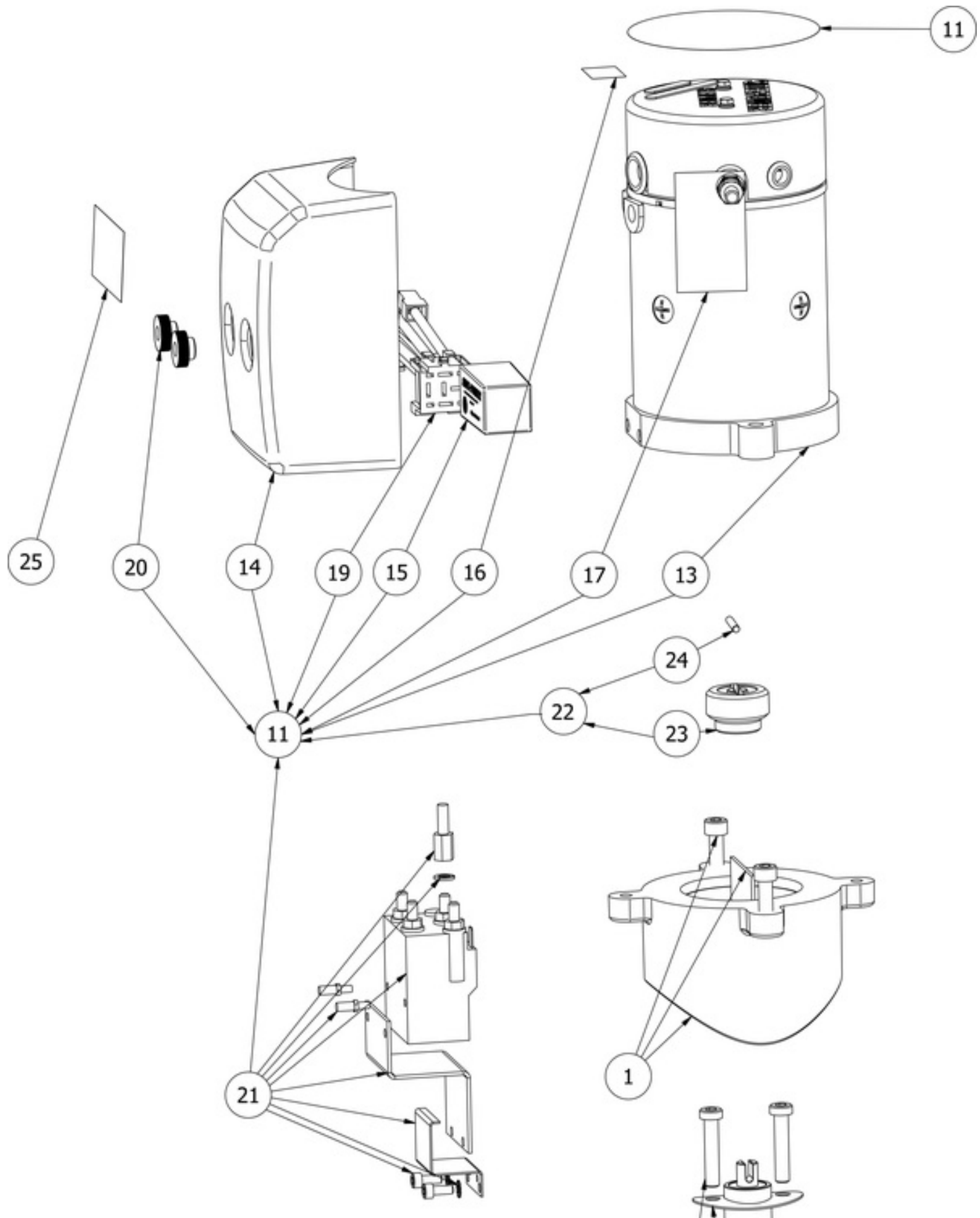
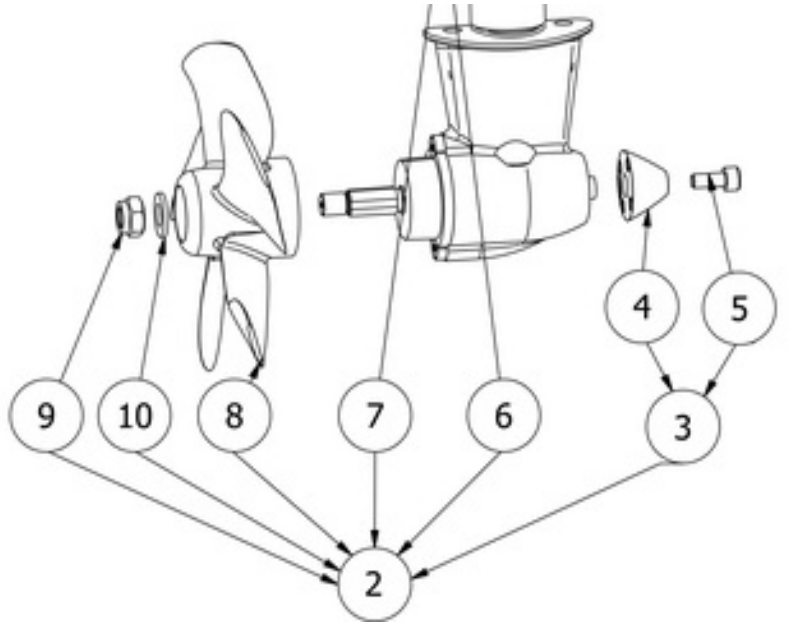


SE30/125S2 - SE30 Tunnel bow/stern thruster, 12V



Spare parts (valid from 2020-09-11)





#	Description	Product
1	Complete engine bracket SE30 / 40	SM-126592 - Complete motor bracket SE30/40S2
2	Gearbox complete SE30 / 40	3 0601 - Complete gearleg SP30/40, prefilled and sealed
3	Anode Kit	3 1180 A - Anode, aluminium, SE30/40/50
4	Anode	3 9998 - Anode, aluminium, SE30/40
5	DIN 912 - M5 x 12	3 1172 - Bolt M5 x 12 Unbraco
6	Gasket	3 1310 10 - Gasket for gearleg installation in tunnel, SE40
7	DIN 6912 - M8 x 40	3 1080 - Bolt M8 x 40 Unbraco
8	Propeller Ø120	3 1261 - Thruster propeller 5bl SE30/40
9	DIN 985 - M8x1.25	3 1250 - Lock nut
10	DIN 125 - A 8.4	208125 - Washer DIN125A M8 A4 (SB)
11	Label	4 8574 - Merkelapp rund f/sidepower
12	Electric motor mounted	2 0101 12 - Complete electric motor for thruster ert SE30SI
13	Electric motor	2 1012 K - Electric motor SE30 12V
14	Relay Cover	3 2024 - Solenoid cover for SE30
15	Delay relay	6 1232 I - IPC relay 12/24V
16	Label	7 8572 - Merkelapp kontroll motor
17	Label termination	7 8571 - Merkelapp warning label termin
18	Locking ring	3 1143 - Retaining ring
19	Internal coupling SE30	6 1200 B - Internal wiring harness
20	Plastic Nut	6 8810 - Nut for solenoid cover
21	Relay mounted SE30-12V	41571122 - Solenoid replacement
22	Coupling Aim	SM-128472 - Kobling m/låsepinne
23	Coupling	SM-125918 - Flexible coupling SE20/30/40
24	ISO 8734 - 4 x 28 - A	112032 - Pinne 4 x 28
25	Label SE30 / 125S2	SM-135491 - Etikett SE30/125S2

The installer alone has responsibility for the installation of the spare parts. Side-Power only warranty the spare parts supplied only.

The information given in the document was correct at the time it was published. However, Sleipner Motor AS can not accept liability for any inaccuracies or omissions it may contain. Continuous product improvement may change the product specifications without notice. Therefore, Sleipner Motor AS can not accept liability for any possible differences between product and document.